



### Features:

- Constant voltage/ PWM Output
- DALI & Push dimming function
- AC input: 200-240VAC
- Built-in active PFC function
- Efficiency up to 87%
- Protections: Short circuit/ Over load/ Over temperature
- Cooling by free air convection
- IP66 design for indoor and outdoor installation.
- Suitable for intelligent LED lighting

   SELV IP66

### Models

ELED-100-12D

ELED-100-24D

### Output Specifications

	ELED-100-12D	ELED-100-24D
Output Voltage	12V	24V
Voltage Tolerance		± 0.5%
Output Current	8.34A	4.17A
Rated Power		100W
Load Regulation		± 2%

### Input Specifications

Input Voltage	200-240VAC	
Frequency Range	47-63Hz	
Inrush Current	59A (Twidth=210µs 230VAC)	
Full Load Efficiency (Typ.)	87%	86.4%
AC Current (Max.)	0.8A	
Leakage Current	<0.50mA	
Power Factor	PF>0.99/230VAC (Full Loading)	

### Protection

Short Circuit	Constant current mode, recovers automatically after fault condition is removed
Over Loading	≤120% constant current limiting, recovers automatically after fault condition is removed
Over Temperature	100°C± 10°C
Protection Class	I

### Environment

Working Temperature	-40~+60°C (Refer to derating curve)
Working Humidity	20 -95% RH, non-condensing

### Safety & EMC

Storage Temperature, Humidity	-40~+80°C, 10 -95% RH
Temperature Coefficient	±0.03%/°C (0-50°C)
Vibration	10-500Hz, 5G 10min./ 1 cycle, period for 60min.each along X, Y, Z axes

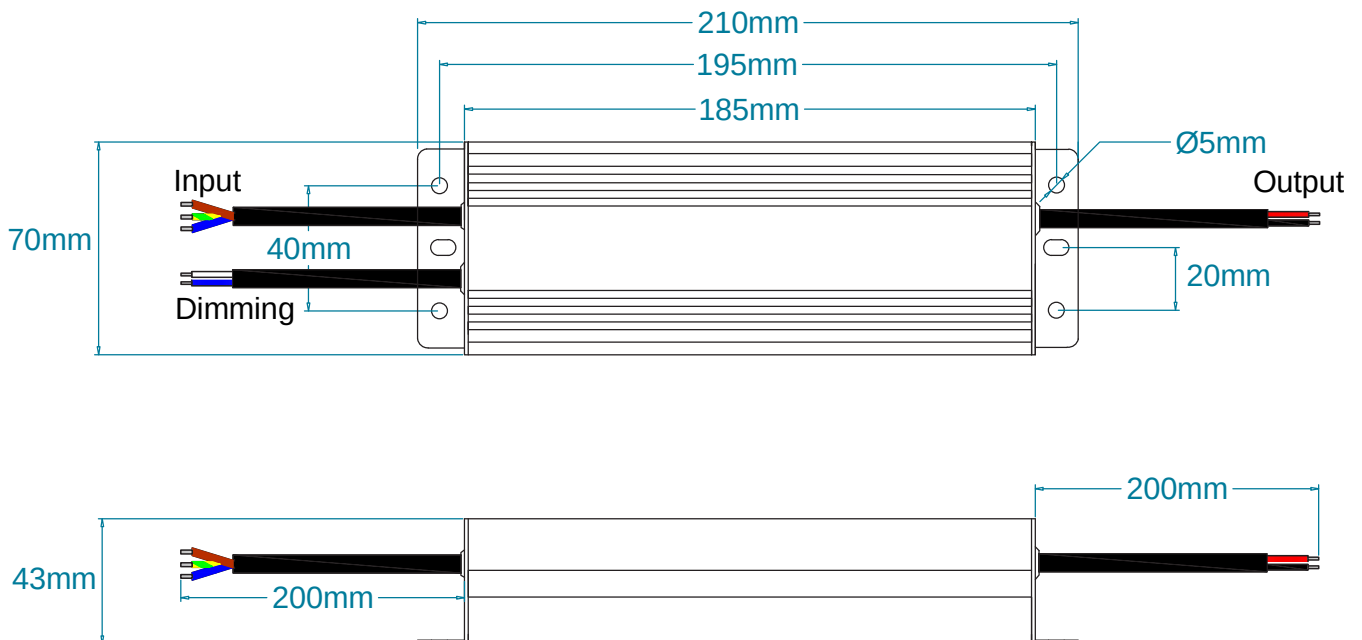
### Safety & EMC

Safety standards	EN61347-1, EN61347-2-13, EN62493, IP66
Withstand voltage	I/P-O/P:3.75KVAC I/P-FG:1.88KVAC O/P-FG:0.5KVAC
Isolation resistance	I/P-O/P I/P-FG O/P-FG: 100MΩ/500VDC/25°C/70%RH
EMC Emission	Compliance to EN55015, EN61000-3-2, EN61000-3-3 (≥60% load)
EMC Immunity	Compliance to EN61000-4-2,3,4,5,6,11, EN61547

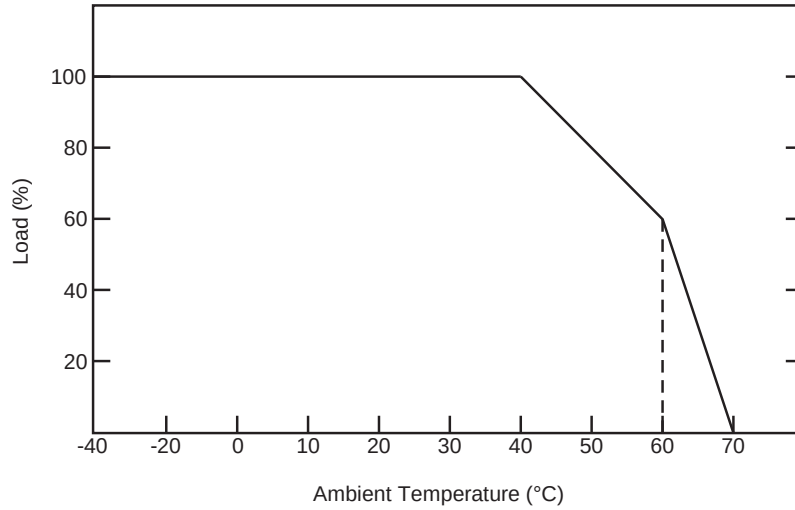
### Other Specifications

Weight	1.05 Kg
Size	210 x 70 x 43 mm
Packing	340 x 275 x 170 mm (10PCS/CTN, 11.5 Kg/CTN))

### Mechanical Specifications

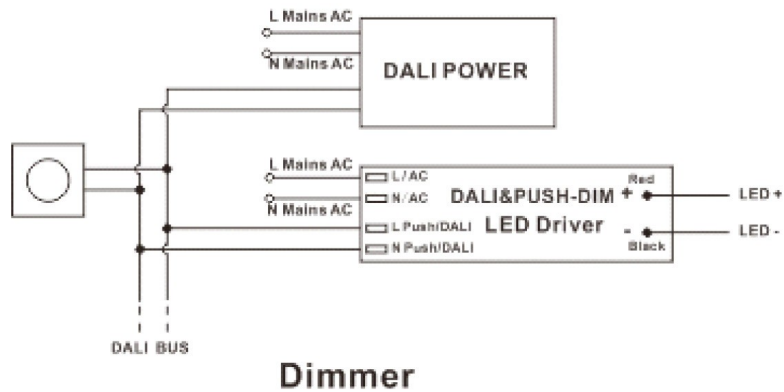


### Derating Curve

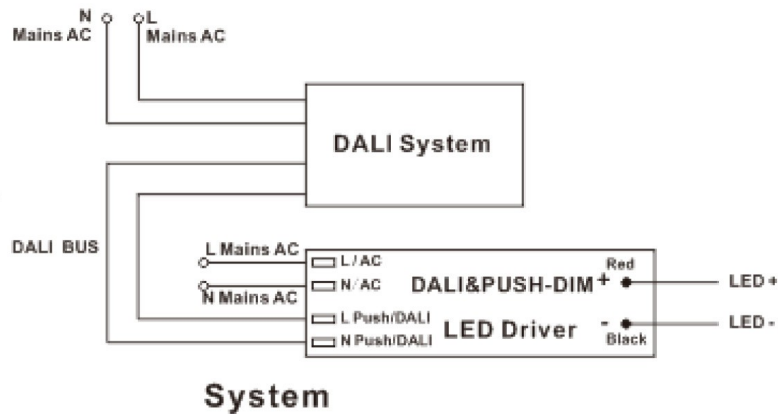


### Dimming Operation

DALI Dimming Wiring Diagram1

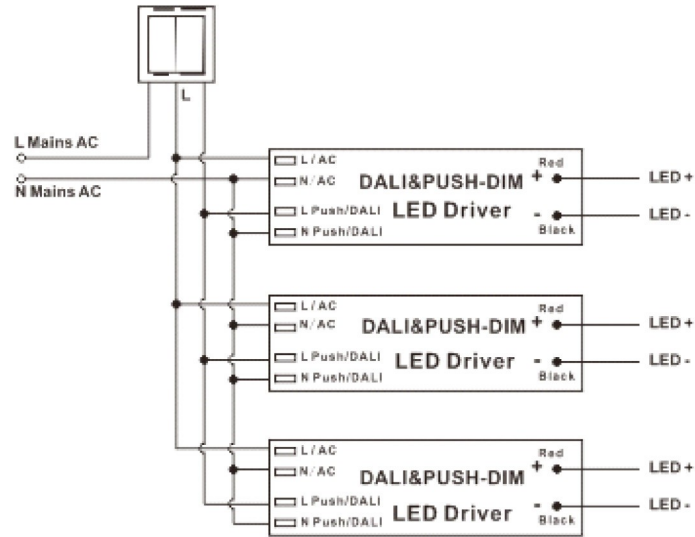


DALI Dimming Wiring Diagram2



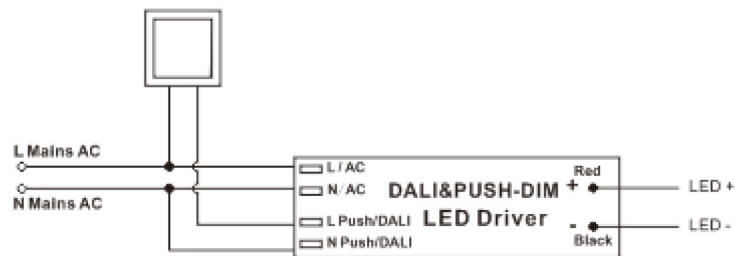
### Dimming Operation

Push-Dimming Wiring Diagram1



Dimmer (with ON/OFF function)

Push-Dimming Wiring Diagram2



Dimmer